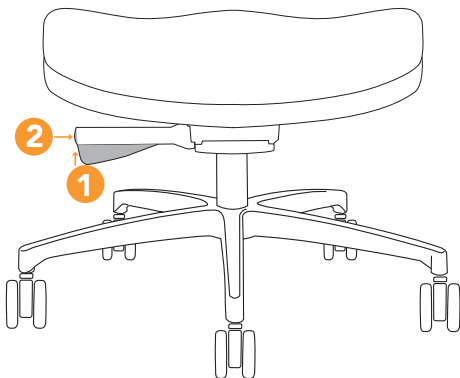


74C Auto-adjust body balance control user guide.
Latest body balance technology.



1 Seat height adjustment - Adjust the seat height by lifting your weight out of the chair and pulling up on the paddle. Proper seat height is realized when the top of your legs are somewhat parallel to the floor.

2 Back tilt lock adjustment (5 position) - Use the same paddle you used for the seat height adjustment. To lock the chair in an upright position, shift your weight forward until the chair is in an upright position, then push the button in. To rock (free float) shift your weight forward and push the button again.



Contract Holder

contract #: GS-28F-005CA

contractor: VIA INC