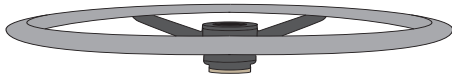


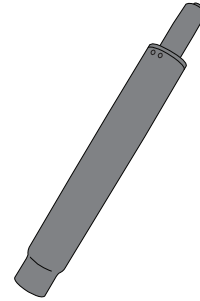
stool kit foot ring

installation & user guide

parts list:

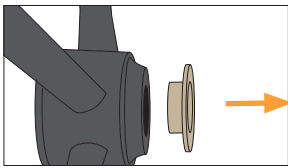


foot ring

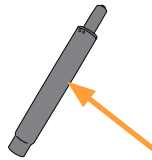


gas lift

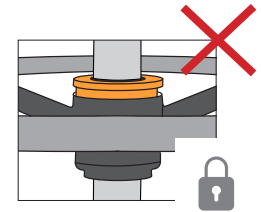
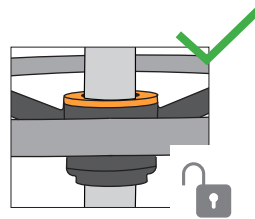
before installation:



Remove the plastic spacer from inside the foot ring hub.

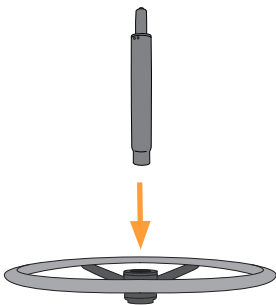


Make sure the outside of the gas lift cylinder column is free from grease or dirt.

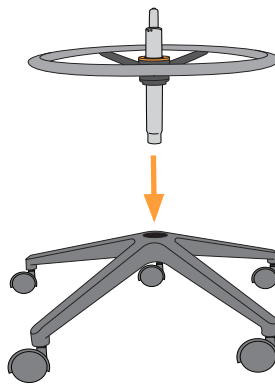


Make sure the plastic hub is pressed flush against the center of the foot ring into the "unlocked" position.

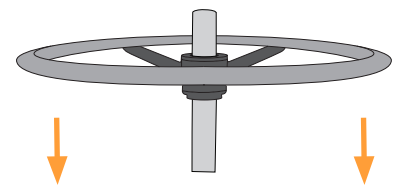
installation :



Foot ring installation: For easiest installation, slide the gas lift through the cylinder hub in the direction shown until it reaches your desired position.



Gas lift installation: Place gas lift cylinder into base (with foot ring attached).

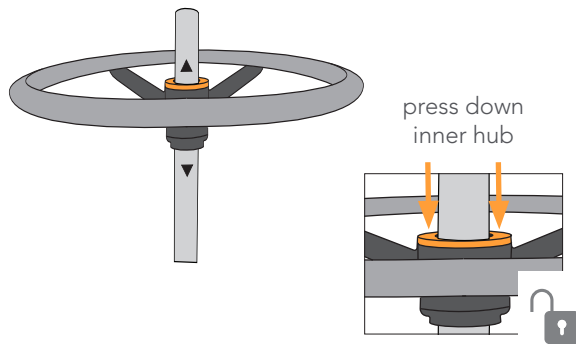


Lock foot ring: Lock foot ring in place by pressing down on outer foot rest until hub is in "locked" position.

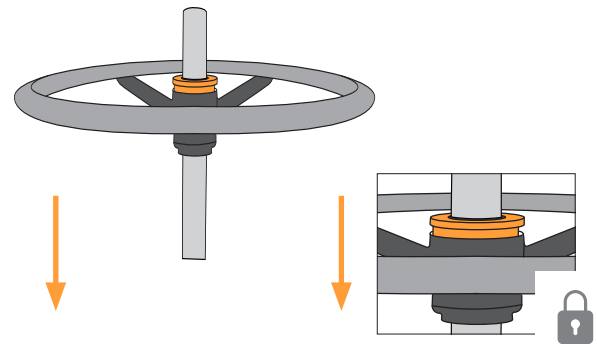
stool kit foot ring

installation & user guide

foot ring adjustment:



Unlock foot ring: Press down on the plastic hub and lift the foot ring up to unlock it. Adjust foot ring to desired position.



Lock foot ring: Lock foot ring in place by pressing down on outer foot rest until hub is in "locked" position.