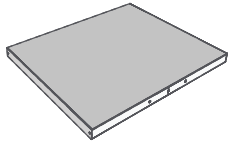


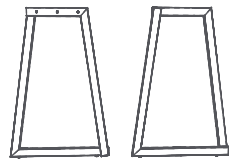
# Cortina.026 Table Assembly

Your carton will contain:

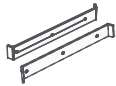
**A** Table top  
1 piece



**B** Legs  
L & R  
1 each



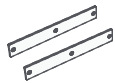
**C** Angled brackets  
2 pieces



**D** End caps  
2 pieces



**E** Flat brackets  
2 pieces

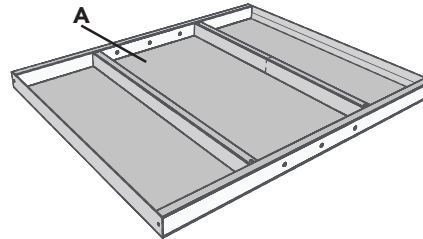


**F** TBEI  
M8x30 bolts  
6 pieces



## 1 Unpack and prepare your table

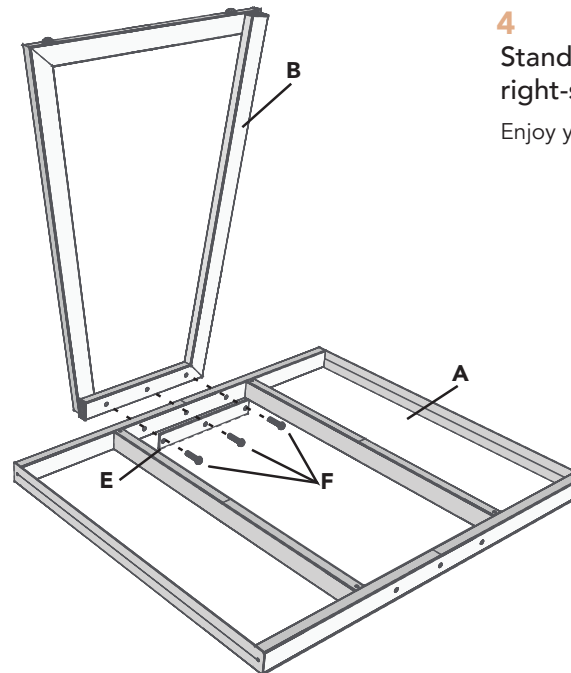
Unpack your Cortina table. Place the table top (**A**) face down on a soft surface to protect the finish.



## 3 Attach the leg assemblies

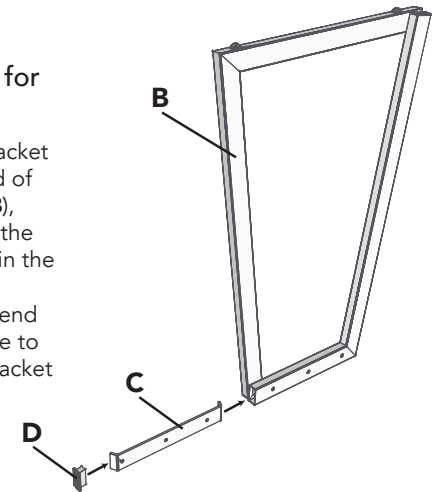
Align one leg assembly (**B**) with the table top (**A**), holes matching. Place one flat bracket (**E**) on the inside edge of the table top, holes aligning. Secure the leg to the table top with 3 M8x30 bolts (**F**), passing through the flat bracket and table top.

Repeat for the opposite leg.



## 2 Prepare the legs for assembly

Insert one angled bracket (**C**) into the open end of each leg assembly (**B**), aligning the holes in the bracket to the holes in the leg assembly, holes touching. Insert one end cap (**D**) into each hole to secure the angled bracket in alignment.



## 4 Stand table right-side-up

Enjoy your Cortina table!

