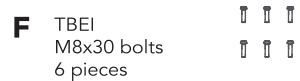
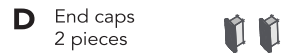
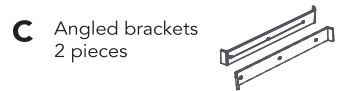
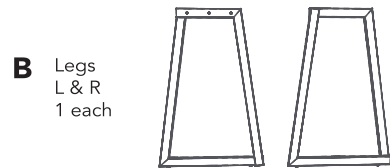
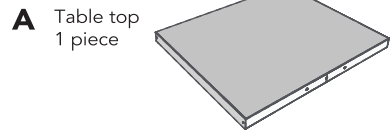


Cortina table assembly

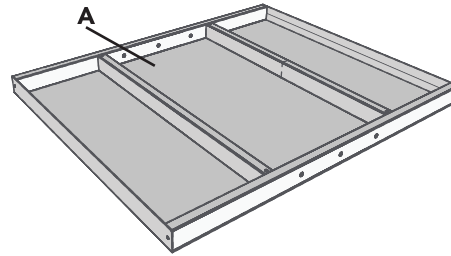
D230, D235, D240 stacking tables.

Parts List



1 **Unpack and prepare your table**

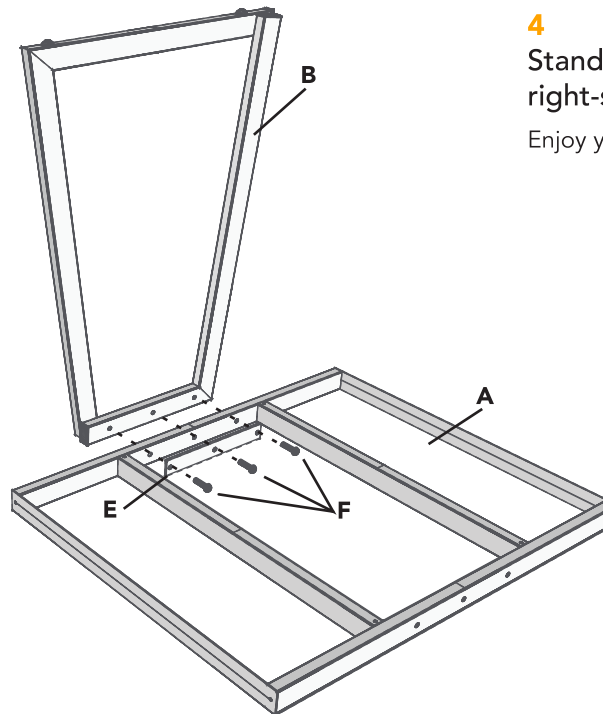
Unpack your Cortina table. Place the table top (**A**) face down on a soft surface to protect the finish.



3 **Attach the leg assemblies**

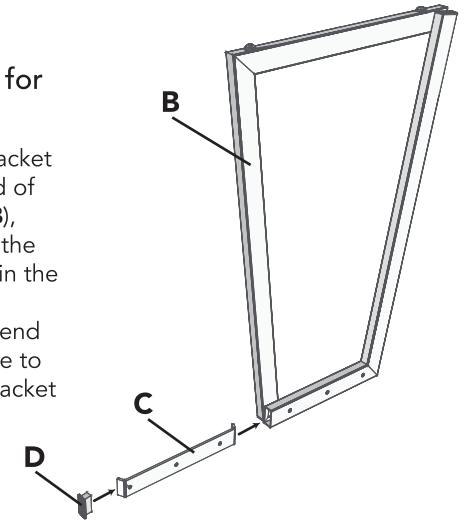
Align one leg assembly (**B**) with the table top (**A**), holes matching. Place one flat bracket (**E**) on the inside edge of the table top, holes aligning. Secure the leg to the table top with 3 M8x30 bolts (**F**), passing through the flat bracket and table top.

Repeat for the opposite leg.



2 **Prepare the legs for assembly**

Insert one angled bracket (**C**) into the open end of each leg assembly (**B**), aligning the holes in the bracket to the holes in the leg assembly, holes touching. Insert one end cap (**D**) into each hole to secure the angled bracket in alignment.



4 **Stand table right-side-up**

Enjoy your Cortina table!

