

Joí

design by S.I. Design

Collaborative spaces, breakout,
compact seating, classroom, library



Features

- Design: backless, upholstered seat low stools, counter height stools & bar height stools
- Via Seating's comfort foam: proprietary blend of high-density, injection-molded, closed-cell, cold-cured comfort foam
- Design for the Environment (DfE): Screened to the ANSI/BIFMA e3-2019 Annex B- List of Chemicals of Concern & CA Prop 65 List
- Specify On: Spec It, CET, Project Matrix, 2020 ("CAP/GIZA") & KITS Collaborator

Statement of Line



Low stool #530



Counter stool #531



Bar stool #532

Joí

Stools #530, #531 & #532

GSA: OPEN MARKET



1. Starting Model

Part #	Price	Description
530	+\$625	Low stool
531	+\$685	Counter stool
532	+\$725	Bar stool

2. Frame Finish

Part #	Price	Description
N	+\$0	Standard beech wood

3. Seat Trim Color

Part #	Price	Description
23	+\$0	Standard anthracite
24	+\$0	White
25	+\$0	Loch blue
26	+\$0	Inland green
27	+\$0	Coral red
28	+\$0	Gold star ¹

Note 1: Color available on an extended lead time.

4. Packaging

Part #	Price	Description
FA	+\$0	Ships fully assembled in the box

5. Textile

Part #	Price	Description
GR A	+\$0	Grade A fabric, vinyl or leather
GR B	+\$17	Grade B fabric, vinyl or leather
GR 1	+\$44	Grade 1 fabric, vinyl or leather
COM	+\$44	Customer's Own Fabric or Vinyl
GR 2	+\$64	Grade 2 fabric, vinyl or leather
GR 3	+\$90	Grade 3 fabric, vinyl or leather
COL	+\$90	Customer's Own Leather
GR 4	+\$125	Grade 4 fabric, vinyl or leather
GR 5	+\$158	Grade 5 fabric, vinyl or leather
GR 6	+\$208	Grade 6 fabric, vinyl or leather
GR 7	+\$260	Grade 7 fabric, vinyl or leather
GR 8	+\$333	Grade 8 fabric, vinyl or leather

Build Model String

1 - 2 - 3 - 4 - 5

Example:

530-N-23-FA-GR A (ORIGIN JET)



Quoting is easiest with Via's online quote software that renders & prices your model in real time. Scan the QR code or visit <https://viaseating.com/spec-it/#/joi>

Joí

All stool & COM/COL specification details
#530, #531 & #532



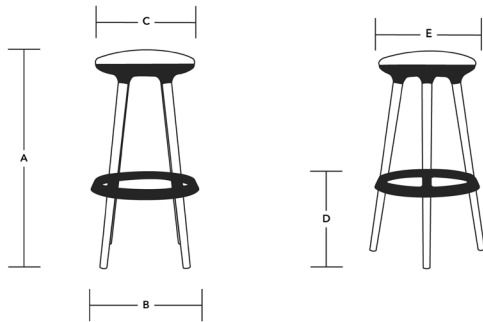
Key Details



Warranty

6 year warranty.
See viaseating.com/warranty/

Specifications



MODEL:	#530	#531	#532
Dimensions			
A - Seat to Floor	19.0"	26.5"	31.0"
B - Seat Width	14.5"	14.5"	14.5"
C - Max Width	14.5"	17.0"	18.0"
D - Footring Height	/	8.0"	12.0"
E - Footring Width	/	16.0"	16.0"
Weights³			
Weight Capacity	300 lb	300 lb	300 lb
Product Weight	5.75 lb	8.2 lb	8.45 lb
Textiles			
Seat COM (fabric/vinyl)	0.47 yd / 0.5 yd	0.47 yd / 0.5 yd	0.47 yd / 0.5 yd
Seat COL	2.81 sq ft	2.81 sq ft	2.81 sq ft



Need Support? COM/COL amounts are listed for a single product. We are happy to supply yardage requirement quotes for multiple (any more than 1) chair orders, as material cost savings may be realized. Please call 1-800-433-6614 or contact your CAS support at West (CSWest@viaseating.com), South (CSSouth@viaseating.com), North (CSNorth@viaseating.com) or Canada (cscanada@viaseating.com).

