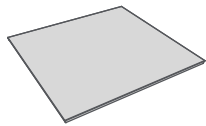

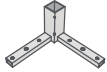








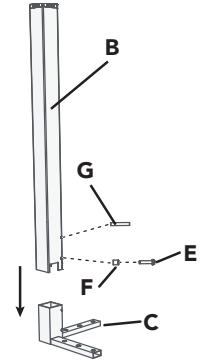
Moon Tables Standard Height Table Assembly

Your carton will contain:

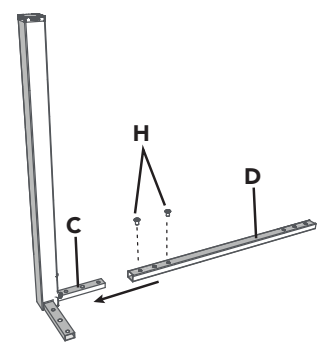
- A** Table top
1 piece 
- B** Legs
4 each 
- C** Corner brackets
4 each 
- D** Cross pieces
4 pieces 
- E** TBEI
M8x30 screws
4 pieces 
- F** Bushing
4 pieces 
- G** TBEI
M8x50 dowel
4 pieces 
- H** TBEI
M8x10 screws
16 pieces 
- I** Adhesive tiles
12 pieces 

1
Unpack and prepare your table
Unpack your Moon Table. Place pieces on a soft surface to protect the finish.

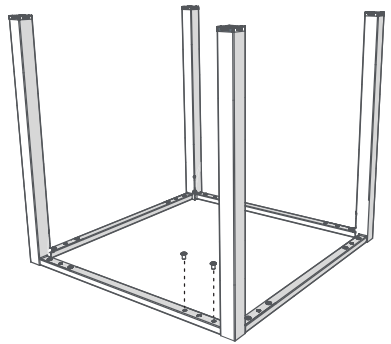
2
Assemble legs
Insert leg (B) onto corner bracket (C), aligning cut outs with bracket arms. Align screw holes and secure with M8x30 screw (E) through bushing (F) in hole closest to bracket and M8x50 dowel (G) in second hole.
Repeat for all four legs.



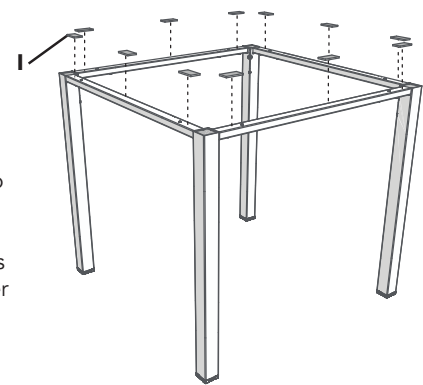
3
Attach cross pieces
Insert crosspiece (D) onto corner bracket (C), aligning screw holes. Secure with two M8x10 screws (H).



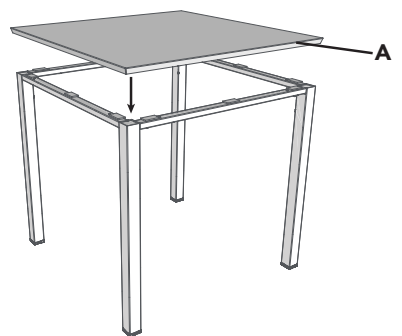
4
Connect all 4 legs
Continue attaching cross pieces to corner brackets until all four are assembled.



5
Attach adhesive tiles
Turn the table onto its feet. Attach adhesive tiles (I) to top surface of cross members, three per side as shown.



6
Afix table top
Remove the protective film from the adhesive tiles and carefully align and attach the table top (A). Press firmly on table top surface to ensure adhesion to the cross members. Allow 3 hours for glue to set.



Stand table right-side-up
Enjoy your Moon Table!

