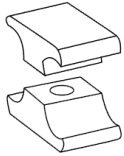


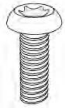
Sierra.015 Skate Guard #UT15 Assembly

Your carton will contain:



2x

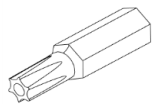
Skate Guard
Block



2x

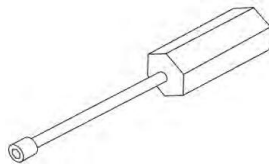
Torx
Screw

Tools needed:



1x

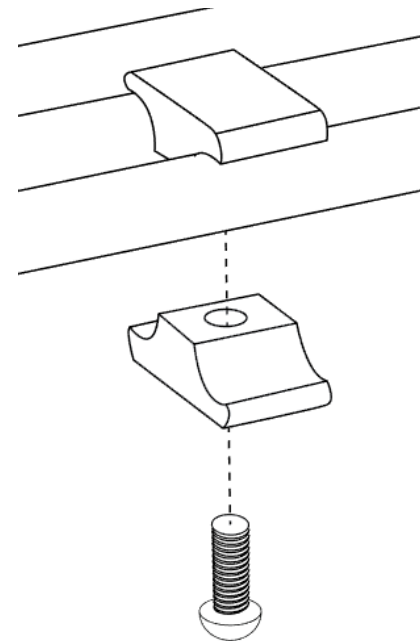
T40 Torx Bit
(NOT INCLUDED)



1x

Driver
(NOT INCLUDED)

1. Position skate guard block in desired location & tighten to bench with the provided screw.



Secured skate guard.

