



Tahoe chaise lounge assembly

TCH15, TNH15 chaise lounge.

Parts List

- A** Leg assembly L & R
1 each
- B** Head panel
1 piece
- C** Back panel
1 piece
- D** Seat panel
1 piece
- E** Foot panel
1 piece
- F** TBEI M8x10 screw
24 pieces

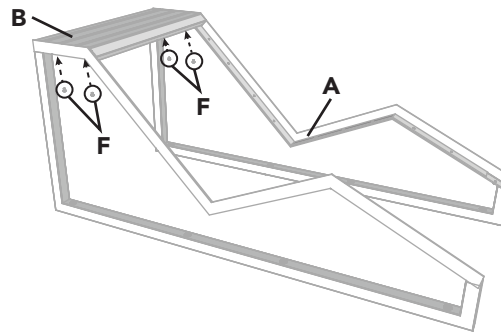
1 Unpack and prepare your components

Unpack your chaise lounge. Place pieces on a soft surface to protect the finish.

Two-person assembly is recommended.

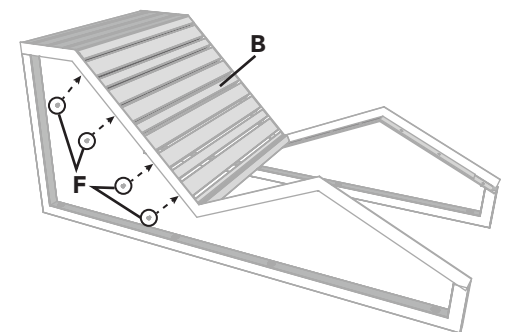
2 Attach head panel to leg assemblies

Stand leg assemblies (A) on feet, parallel to each other, supported in the vertical position. Attach head panel (B) to leg assemblies using two M8x10 screws (F) per side.



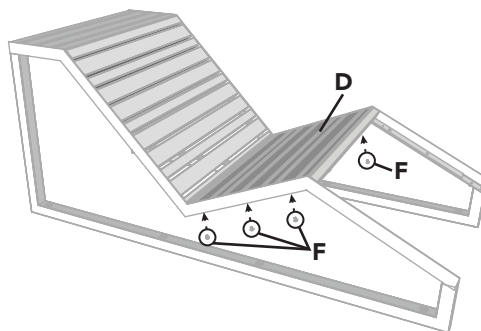
3 Attach back panel to leg assemblies

Attach back panel (C) to leg assemblies using four M8x10 screws (F) per side.



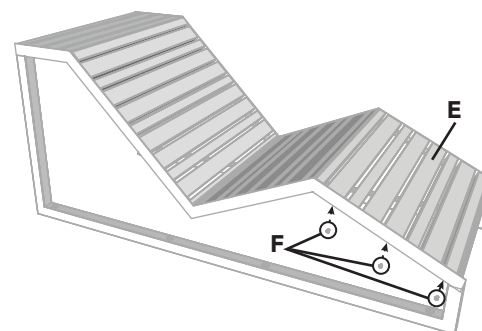
4 Attach seat panel to leg assemblies

Attach seat panel (D) to leg assemblies using 3 M8x10 screws (F) per side.



5 Attach foot panel to leg assemblies

Attach back panel (E) to leg assemblies using four M8x10 screws (F) per side.



6 Tighten all screws

Enjoy your Tahoe chaise lounge!

