

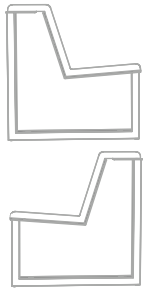


Tahoe double seat bench assembly

TBC15, TBN15 double seat bench.

Parts List

A Leg assembly
L & R
1 each



B Top panel
1 piece



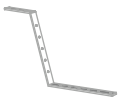
C Back panel
1 piece



D Seat panel
1 piece



E Seat brace
1 piece



F TBEI
M8x10 screw
12 pieces



G TBEI
M6x20 screw
14 pieces



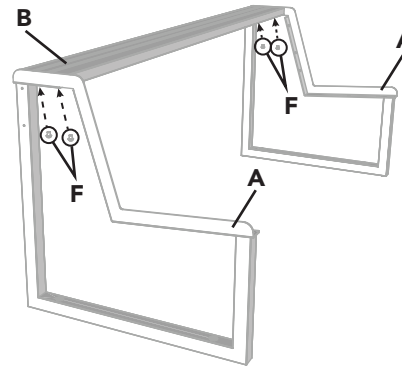
1 Unpack and prepare your components

Unpack your double seat bench. Place pieces on a soft surface to protect the finish.

Two-person assembly is recommended.

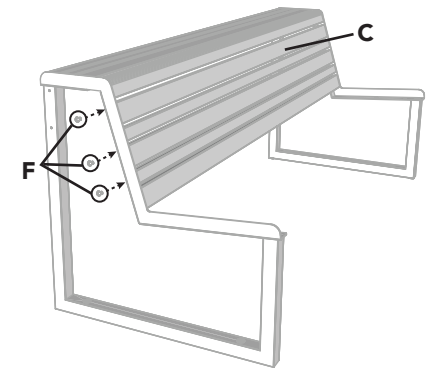
2 Attach top panel to leg assemblies

Stand leg assemblies (A) on feet, parallel to each other, supported in the vertical position. Attach top panel (B) to leg assemblies using two M8x10 screws (F) per side.



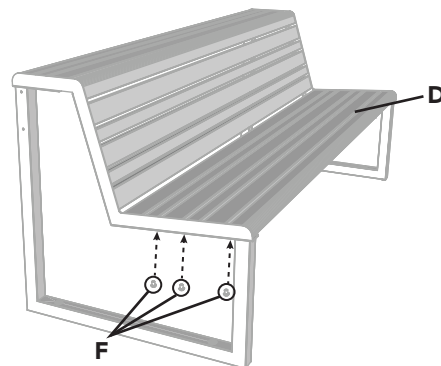
3 Attach back panel to leg assemblies

Attach back panel (C) to leg assemblies using three M8x10 screws (F) per side.



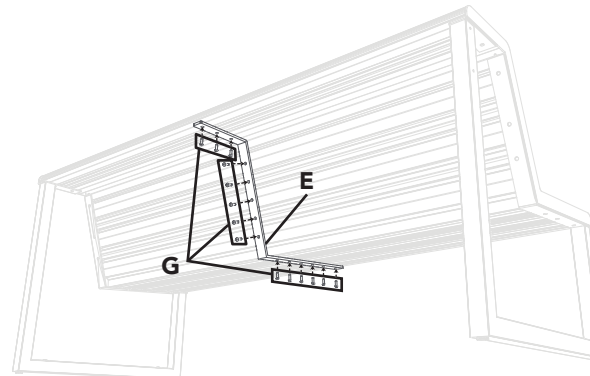
4 Attach back panel to leg assemblies

Attach seat panel (D) to leg assemblies using three M8x10 screws (F) per side.



5 Attach brace

Attach seat brace (E) to underside of bench using fourteen M6x20 screws (G).



6 Tighten all screws

Enjoy your Tahoe double seat bench!

