

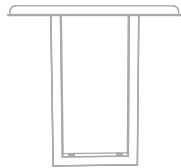


Tahoe rectangular table assembly

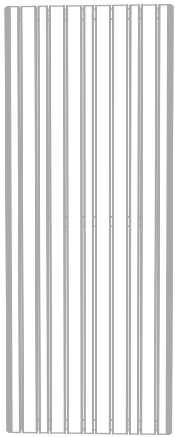
TTC15, TTN15 rectangular table.

Parts List

A Leg assemblies
2 pieces



B Table top
1 piece



C TBEI
M8x10 screw
12 pieces



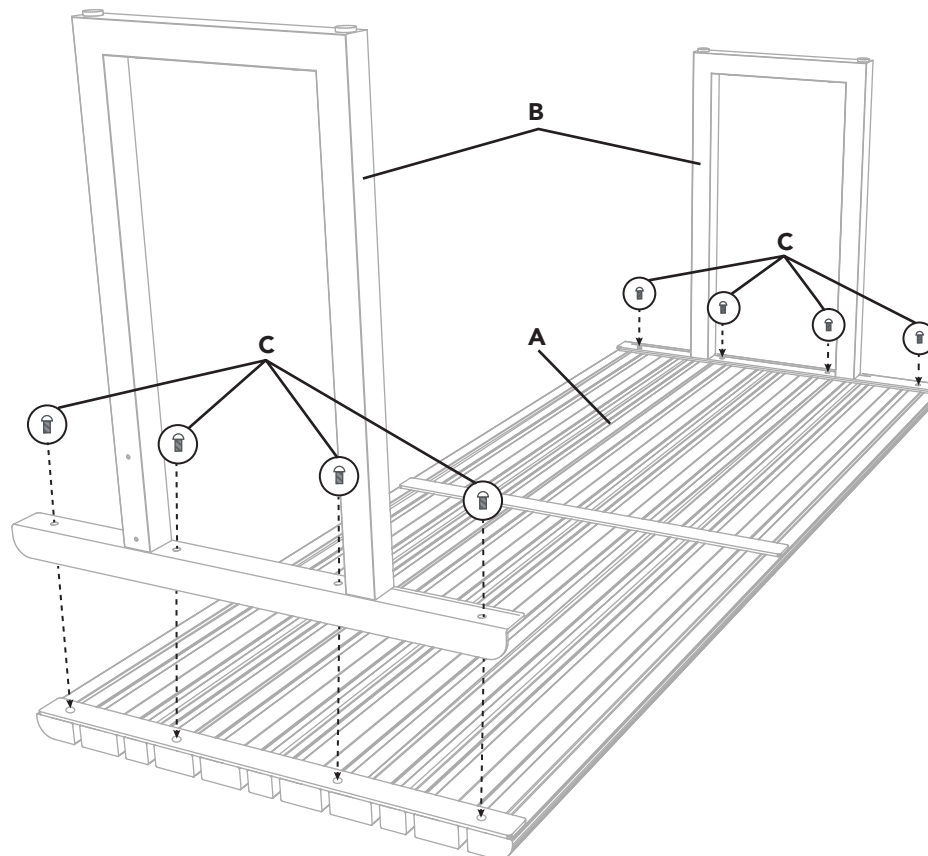
1 Unpack and prepare your components

Unpack your rectangular table. Place pieces on a soft surface to protect the finish.

Two-person assembly is recommended.

2 Attach table top to leg assemblies

Place table top (**B**) face down on a soft surface. Attach leg assemblies (**A**) to table top using four M8x10 screws (**C**) per side.



3 Stand table on its feet

Enjoy your Tahoe rectangular table!

