

Zee

design by Grey Design Studio

Multi-use, stacking, bar & counter stools, light task chairs & stools



Features

- 4-leg stackable chairs, counter stools & bar stools, guest chairs on wood base, light task chairs, light task stools
- Via Seating's comfort foam: a proprietary blend of high-density, injection-molded, closed-cell, cold-cured comfort foam
- Chairs stack 9 poly/ 7 upholstered on the ground & cart; Counter & Bar stools stack 7 poly/ 5 upholstered on the ground only
- Design for the Environment (DfE): Screened to the ANSI/BIFMA e3-2019 Annex B- List of Chemicals of Concern & CA Prop 65 List
- Sustainability: BIFMA LEVEL 2 certified & CLEAN AIR GOLD certified/certified low emitting
- Specify On: Spec It, CET, GSA (contract #GS-28F-005CA), Project Matrix, 2020 ("CAP/GIZA") & KITS Collaborator

Statement of Line



Stackable chair on a 4-leg base #731



Stackable counter stool on a 4-leg base #752



Stackable bar stool on a 4-leg base #751



Guest chair on wood base #761



Stacking angled transport cart #650C



Light task chair #741



Light task stool #741-11DR



Zee

Stackable 4-leg chair & stools #731, #752, #751
GSA SIN# 33721



1. Starting Model

Part #	Price	Description
731	+\$475	Stackable chair on 4-leg base
752	+\$765	Stackable counter stool ¹
751	+\$765	Stackable bar stool

Note 1: #752 is on an extended lead time.


2. Frame Finish

Part #	Price	Description
B	+\$0	Standard matte black
C	+\$58	Chrome
S	+\$58	Silver

3. Poly Color

Part #	Price	Description
01Z	+\$0	Standard black
23	+\$0	Anthracite
24	+\$0	White
25	+\$0	Loch Blue

4. Optional Upholstered Seat

Part #	Price	Description
7US	+\$0	Upholstered seat 

5. Packaging

Part #	Price	Description
FA	+\$0	Ships fully assembled in the box
BW	CALL US	Ships blanket wrapped w/ minimum order quantity 150 - Call 1-800-433-6614 for pricing

5a. Single Chair Shipment

Part #	Price	Description
	+\$0	Not selected / this is a multiple chair order
SC	+\$74	Single chair order

4a. Seat Textile

Part #	Price	Description
GR A	+\$77	Grade A fabric, vinyl or leather
GR B	+\$113	Grade B fabric, vinyl or leather
GR 1	+\$149	Grade 1 fabric, vinyl or leather
COM	+\$149	Customer's Own Fabric or Vinyl
GR 2	+\$184	Grade 2 fabric, vinyl or leather
GR 3	+\$220	Grade 3 fabric, vinyl or leather
COL	+\$220	Customer's Own Leather
GR 4	+\$254	Grade 4 fabric, vinyl or leather
GR 5	+\$290	Grade 5 fabric, vinyl or leather
GR 6	+\$327	Grade 6 fabric, vinyl or leather
GR 7	+\$359	Grade 7 fabric, vinyl or leather
GR 8	+\$397	Grade 8 fabric, vinyl or leather

Build Model String

 1 2 3 4 5 5A 4A*

Example:

731-B-01Z-7US-FA-GR A (ORIGIN JET)

*Note: Textile detail is always listed at the end.



Quoting is easiest with Via's online quote software that renders & prices your model in real time. Scan the QR code or visit <https://viaseating.com/spec-it/#/zee>

Zee

Guest chair on wood base #761
GSA SIN# 33721



1. Starting Model

Part #	Price	Description
761	+\$700	Guest chair on wood base


2. Frame Finish

Part #	Price	Description
N	+\$0	Standard beech wood

3. Poly Color

Part #	Price	Description
01Z	+\$0	Standard black
23	+\$0	Anthracite
24	+\$0	White
25	+\$0	Loch Blue

4. Optional Upholstered Seat

Part #	Price	Description
7US	+\$0	Upholstered seat 

5. Packaging

Part #	Price	Description
FA	+\$0	Ships fully assembled in the box
BW	CALL US	Ships blanket wrapped w/ minimum order quantity 150 - Call 1-800-433-6614 for pricing

5a. Single Chair Shipment

Part #	Price	Description
	+\$0	Not selected / this is a multiple chair order
SC	+\$74	Single chair order

4a. Seat Textile

Part #	Price	Description
GR A	+\$77	Grade A fabric, vinyl or leather
GR B	+\$113	Grade B fabric, vinyl or leather
GR 1	+\$149	Grade 1 fabric, vinyl or leather
COM	+\$149	Customer's Own Fabric or Vinyl
GR 2	+\$184	Grade 2 fabric, vinyl or leather
GR 3	+\$220	Grade 3 fabric, vinyl or leather
COL	+\$220	Customer's Own Leather
GR 4	+\$254	Grade 4 fabric, vinyl or leather
GR 5	+\$290	Grade 5 fabric, vinyl or leather
GR 6	+\$327	Grade 6 fabric, vinyl or leather
GR 7	+\$359	Grade 7 fabric, vinyl or leather
GR 8	+\$397	Grade 8 fabric, vinyl or leather

Build Model String

 1 2 3 4 5 5A 4A*

Example:

761-N-01Z-7US-FA-GR A (ORIGIN JET)

*Note: Textile detail is always listed at the end.



Quoting is easiest with Via's online quote software that renders & prices your model in real time. Scan the QR code or visit <https://viaseating.com/spec-it/#/zee>

Zee

Light task chair or stool #741
GSA SIN# 33721



1. Starting Model

Part #	Price	Description
741	+\$621	Light task model




2. Frame Finish

Part #	Price	Description
C	+\$0	Standard up/down control mechanism in a chrome finish

3. Poly Color

Part #	Price	Description
01Z	+\$0	Standard black
23	+\$0	Anthracite
24	+\$0	White
25	+\$0	Loch Blue



4. Base

Part #	Price	Description	
13BB	+\$0	Standard black nylon high-crown 5-star swivel base	
18BB	+\$0	Black nylon low-profile 5-star swivel base	
18PB	+\$156	Polished aluminum low-profile 5-star swivel base	

4a. Casters or Glides


Part #	Price	Description	
16HP	+\$0	Standard black carpet casters	
16SCG	+\$39	Grey-black all floor casters	
16GL	+\$39	Black all floor glides	

4b. Stool Application

Part #	Price	Description	
	+\$0	Not selected	
11DR	+\$211	Tall stool kit with height adjustable foot ring (7.5" travel) ¹	
11XDR	+\$211	Extra-tall stool kit with height adjustable foot ring (10.25" travel) ¹	

1. Note: Bases 18BB or 18PB are required to use a stool kit.

5. Optional Upholstered Seat

Part #	Price	Description	
7US	+\$0	Upholstered seat	

Zee

Light task chair or stool #741

GSA SIN# 33721



6. Packaging

Part #	Price	Description
9FA	+\$0	Ships 95% assembled
FA	+\$98	Ships fully assembled in the box
BW	CALL US	Ships blanket wrapped w/ minimum order quantity 150 - Call 1-800-433-6614 for pricing

6a. Single Chair Shipment

Part #	Price	Description
	+\$0	Not selected / this is a multiple chair order
SC	+\$74	Single chair order

5a. Seat Textile

Part #	Price	Description
GR A	+\$77	Grade A fabric, vinyl or leather
GR B	+\$113	Grade B fabric, vinyl or leather
GR 1	+\$149	Grade 1 fabric, vinyl or leather
COM	+\$149	Customer's Own Fabric or Vinyl
GR 2	+\$184	Grade 2 fabric, vinyl or leather
GR 3	+\$220	Grade 3 fabric, vinyl or leather
COL	+\$220	Customer's Own Leather
GR 4	+\$254	Grade 4 fabric, vinyl or leather
GR 5	+\$290	Grade 5 fabric, vinyl or leather
GR 6	+\$327	Grade 6 fabric, vinyl or leather
GR 7	+\$359	Grade 7 fabric, vinyl or leather
GR 8	+\$397	Grade 8 fabric, vinyl or leather

Build Model String

_____-_____-_____-_____-_____-_____-_____-_____-_____-_____-
1 2 3 4 4A 4B 5 6 6A 5A*

Example:

741-C-01Z-18BB-16HP-11DR-7US-FA-GR A
(ORIGIN JET)



Quoting is easiest with Via's online quote software that renders & prices your model in real time. Scan the QR code or visit <https://viaseating.com/spec-it/#/zee>

Zee

Stacking angled transport cart #650C
GSA SIN# 33721



1. Starting Model

Part #	Price	Description
650C	+\$556	Stacking angled transport cart

2. Packaging

Part #	Price	Description
AR	+\$0	Ships in parts in the box / assembly is required

Build Model String

Example:
1 - 2 650C-AR



Quoting is easiest with Via's online quote software that renders & prices your model in real time. Scan the QR code or visit <https://viaseating.com/spec-it/#/zee>

Key Details

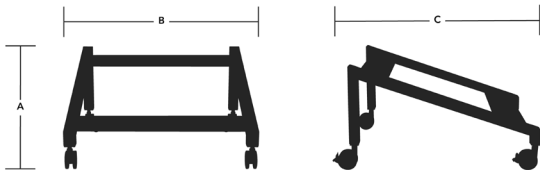


Quick Ship / 48-Hour Manufacturing
20 carts made in 48 hours.
See viaseating.com/quick-ship/



Warranty
6 year warranty.
See viaseating.com/warranty/

Specifications



Dimensions	
A - Max Height	14.0"
B - Max Width	29.0"
C - Max Depth	28.0"
Weights	
Weight Capacity	140 lb
Product Weight	17.0 lb

Zee

All key chair specification details
#731, #752, #751, #761



Key Details



Quick Ship / 48-Hour Manufacturing

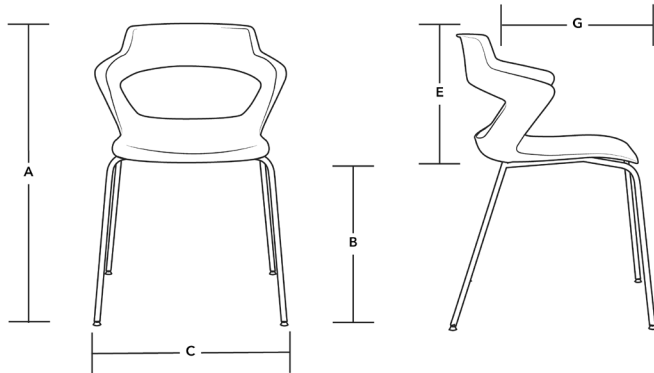
20 chairs made in 48 hours with stocked textiles. See viaseating.com/quick-ship/
Note: #752 on extended lead time.



Warranty

6 year warranty.
See viaseating.com/warranty/

Specifications



	731		752		751		761	
UPHOLSTERY?:	/	7US	/	7US	/	7US	/	7US
Dimensions								
A - Max Height	30.5"	30.5"	38.5"	38.5"	42.0"	42.0"	30.5"	30.5"
B - Seat to Floor Height	19.0"	19.5"	27.0"	27.5"	30.0"	30.5"	19.0"	19.5"
C - Max Width	22.0"	22.0"	22.0"	22.0"	22.0"	22.0"	22.0"	22.0"
D - Seat Width	17.5"	17.5"	17.5"	17.5"	17.5"	17.5"	17.5"	17.5"
E - Backrest Height	15.0"	14.0"	15.0"	14.0"	15.0"	14.0"	15.0"	14.0"
F - Max Depth	21.5"	21.5"	21.5"	21.5"	21.5"	21.5"	21.5"	21.5"
G - Max Seat Depth	18.0"	18.0"	18.0"	18.0"	18.0"	18.0"	18.0"	18.0"
Weights								
Weight Capacity	300 lb	300 lb	300 lb	300 lb	300 lb	300 lb	300 lb	300 lb
Product Weight	10.5 lb	12.0 lb	16.5 lb	19.0 lb	17.0 lb	19.5 lb	12.0 lb	14.5 lb
Stacking Heights								
Max on Floor	9	7	7	5	7	5	N/A	N/A
Max on Cart	9	7	N/A	N/A	N/A	N/A	N/A	N/A

Zee

All key chair & stool specification details
#741



Key Details

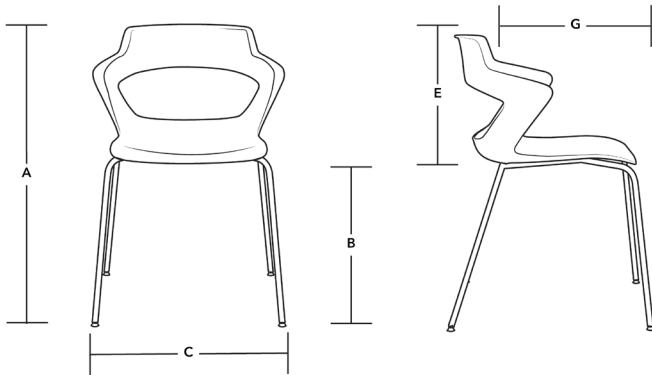


Quick Ship / 48-Hour Manufacturing
20 chairs made in 48 hours with stocked textiles. See viaseating.com/quick-ship/
Note: #752 on extended lead time.



Warranty
6 year warranty.
See viaseating.com/warranty/

Specifications: Light task chairs & stools



	BASE:		18BB, 18PB					
	13BB		11DR		11XDR			
	/	7US	/	7US	/	7US	/	7US
STOOL KIT?:	/		/		/		/	
UPHOLSTERY?:	/		/		/		/	
Dimensions								
A(-) - Min Height	28.5"	28.5"	26.5"	26.5"	33.0"	33.0"	35.5"	35.5"
A(+)- Max Height	33.0"	33.0"	31.0"	31.0"	40.5"	40.5"	45.0"	45.0"
B(-) - Min Seat to Floor	16.5"	17.0"	14.5"	15.0"	21.0"	21.5"	22.5"	23.0"
B(+)- Max Seat to Floor	21.0"	21.5"	19.0"	19.5"	28.5"	29.0"	32.0"	32.5"
C - Max Width	26.0"	26.0"	26.5"	26.5"	27.0"	27.0"	27.0"	27.0"
D - Seat Width	17.5"	17.5"	17.5"	17.5"	17.5"	17.5"	17.5"	17.5"
E - Backrest Height	15.0"	14.0"	15.0"	14.0"	15.0"	14.0"	15.0"	14.0"
F - Max Depth	26.0"	26.0"	26.0"	26.0"	26.0"	26.0"	26.0"	26.0"
G - Max Seat Depth	18.0"	18.0"	18.0"	18.0"	18.0"	18.0"	18.0"	18.0"
Weights								
Weight Capacity	300 lb	300 lb	300 lb	300 lb	300 lb	300 lb	300 lb	300 lb
Product Weight	16.5 lb	19.0 lb	16.5 lb	19.0 lb	23.0 lb	25.5 lb	23.5 lb	26.0 lb

Zee

COM/COL & key arm specification details
 #731, #741, #752, #751, #761

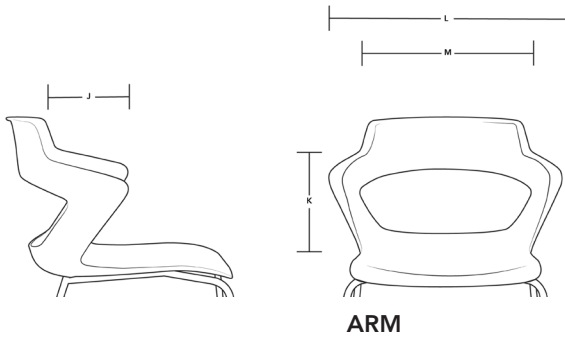
Specifications: Optional Upholstery

	5US
Textiles¹	
COM	0.58 yd
COL	3.8 sq ft



Need Support? COM/COL amounts are listed for a single product. We are happy to supply yardage requirement quotes for multiple (any more than 1) chair orders, as material cost savings may be realized. Please call 1-800-433-6614 or contact your CAS support at West (CSWest@viaseating.com), South (CSSouth@viaseating.com), North (CSNorth@viaseating.com) or Canada (cscanada@viaseating.com).

Specifications: Arms



ARM

Dimensions	
J - Armrest Height	7.0"
K - Max Armrest Width	22.0"
L - Width Between Armrests	18.5"
M - Armrest Length	10.0"
Weights	
Product Weight	N/A

