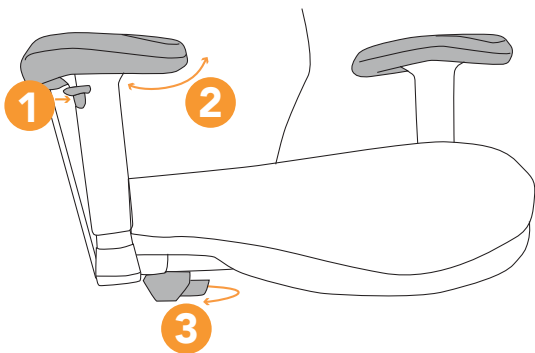


18A Full function arm user guide.

Includes a rotating cap & arm width adjustment bracket.



1 Arm height adjustment - While pressing the button located below the armrest, use your hand to raise and lower the arm height.

2 Arm cap rotation - Grasp and lift arm cap to turn left or right, rotating a max of 15° each way.

3 Arm width adjustment (-**20AB**) - Rotate the switch located beneath the arm forward. Use your hand to grasp the arm and adjust it out to your desired width away from seat. Each arm adjusts separately. When finished making adjustments, rotate the switch back to its original position.



Contract Holder
contract #: GS-28F-005CA
contractor: VIA INC