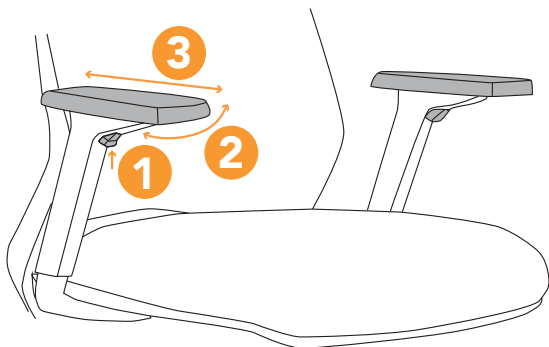


33A/35A 4u arm with 6 way adjustment user guide.
Includes a forward tilt.



1 Arm height adjustment - While pressing the button located below the armrest, use your hand to raise and lower the arm height.

2 Arm cap rotation - Grasp and lift arm cap to turn left or right, rotating a max of 15° each way.

3 Arm cap slide - Grasp and slide arm cap forward or backward, sliding forward a max of 2.5".



Contract Holder

contract #: GS-28F-005CA

contractor: VIA INC