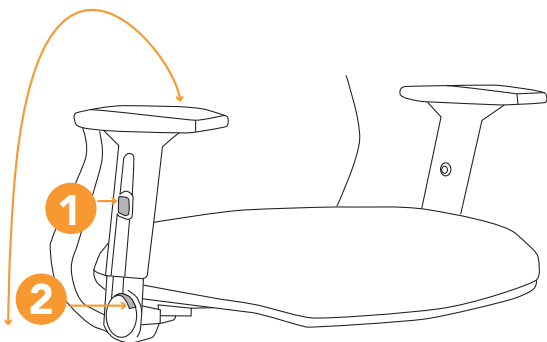


39A Roll back arm user guide.

Height adjustable arm with a roll back feature.



1 Arm height adjustment - While pressing the button located below the armrest, use your hand to raise and lower the arm height.

2 Roll back arm feature - while pressing and holding the small button toward the top front on the silver circle, grasp the arm and roll back to horizontal position. Repeat to lift back to upright position.



Contract Holder

contract #: GS-28F-005CA

contractor: VIA INC