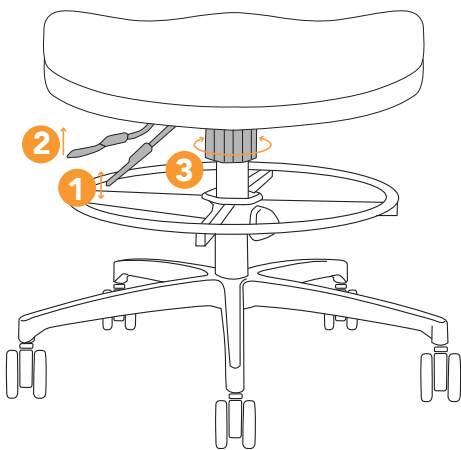


3C-11DR & 3C-11XDR Active back control with a stool kit user guide.

Brisbane, Brisbane HD & Terra.



1 Seat height adjustment - Adjust the seat height by lifting your weight out of the chair and pulling up on the paddle. Proper seat height is realized when the top of your legs are somewhat parallel to the floor.

2 Back lock adjustment (5 position) - Pull lever upward and shift your weight forward or back to desired angle. Release lever to lock. To free float the back, pull lever upward until locked

3 Back/recline tension adjustment - Rotate knob right to increase tilt tension. Rotate knob left to decrease tilt tension.

4 Foot ring height adjustment (for **-11DR** or **-11XDR**) - Press down on the plastic inner hub and lift the foot ring up to unlock. Adjust to desired position. To lock, press down on the outer foot reset until hub is in locked position.



Contract Holder

contract #: GS-28F-005CA

contractor: VIA INC