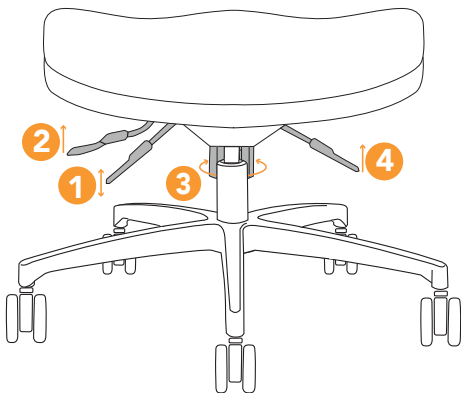


**5C-12SS** Advanced ergo control with a seat slider user guide.

Optional seat slider addition to control **5C**.



**1** Seat height adjustment - Adjust the seat height by lifting your weight out of the chair and pulling up on the paddle. Proper seat height is realized when the top of your legs are somewhat parallel to the floor.

**2** Back lock adjustment (5 position) - Pull lever upward and shift your weight forward or back to desired angle. Release lever to lock. To free float the back, pull lever upward until locked

**3** Back/recline tension adjustment - Rotate knob right to increase tilt tension. Rotate knob left to decrease tilt tension.

**4** Back tilt adjustment - Adjusts from 6° forward to 3° back. Pull lever upward to lock. Shift your weight forward or backward to desired weight angle. Release lever to lock. To free float the seat, pull lever upward until locked.

**5** Seat depth adjustment (add **-12SS**) - Pull up on paddle while shifting your weight forward to move your seat forward. Shift backward to move your seat back.



**Contract Holder**

contract #: GS-28F-005CA

contractor: VIA INC