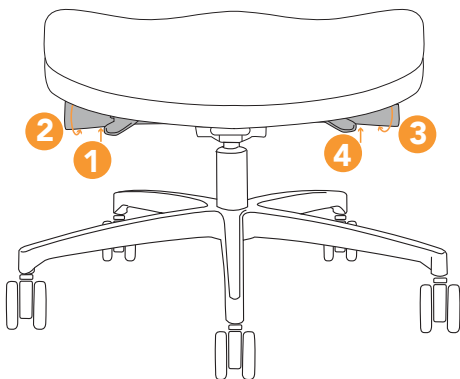


65C Run II synchro control with a seat slider user guide.
For use on Run II high & mid backs exclusively.



- 1** Seat height adjustment - Adjust the seat height by lifting your weight out of the chair and pulling up on the paddle. Proper seat height is realized when the top of your legs are somewhat parallel to the floor.
- 2** Back tension adjustment - Rotate knob right to increase tilt tension. Rotate knob left to decrease tilt tension.
- 3** Back tilt lock adjustment (3 position) - Rotate knob right to lock in position. Rotate knob left to unlock and free float. Use own back tension to push against back of chair and release back from chair to find desired position.
- 4** Seat depth adjustment - Pull up on paddle while shifting your weight forward to move your seat forward. Shift backward to move your seat back.



Contract Holder
contract #: GS-28F-005CA
contractor: VIA INC