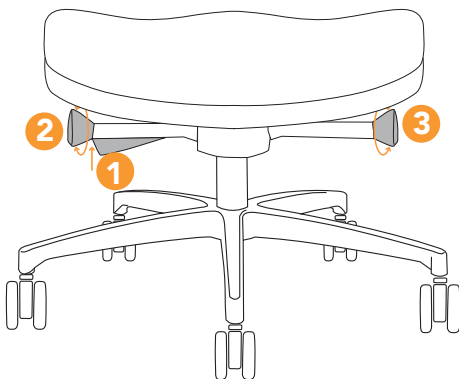


**67C** Quick adjust advanced synchro control user guide.  
Task, Executive, & Management seating.



- 1** Seat height adjustment - Adjust the seat height by lifting your weight out of the chair and pulling up on the paddle. Proper seat height is realized when the top of your legs are somewhat parallel to the floor.
- 2** Back tension adjustment - Rotate knob right to increase tilt tension. Rotate knob left to decrease tilt tension.
- 3** Back tilt lock adjustment (5 position) - Tilt the seat back to desired angle and twist slightly. To unlock, twist the other way, leaning back to unlock. The turn is smooth. All tilt lock angles can be reached within a single turn of the handle.



**Contract Holder**  
contract #: GS-28F-005CA  
contractor: VIA INC